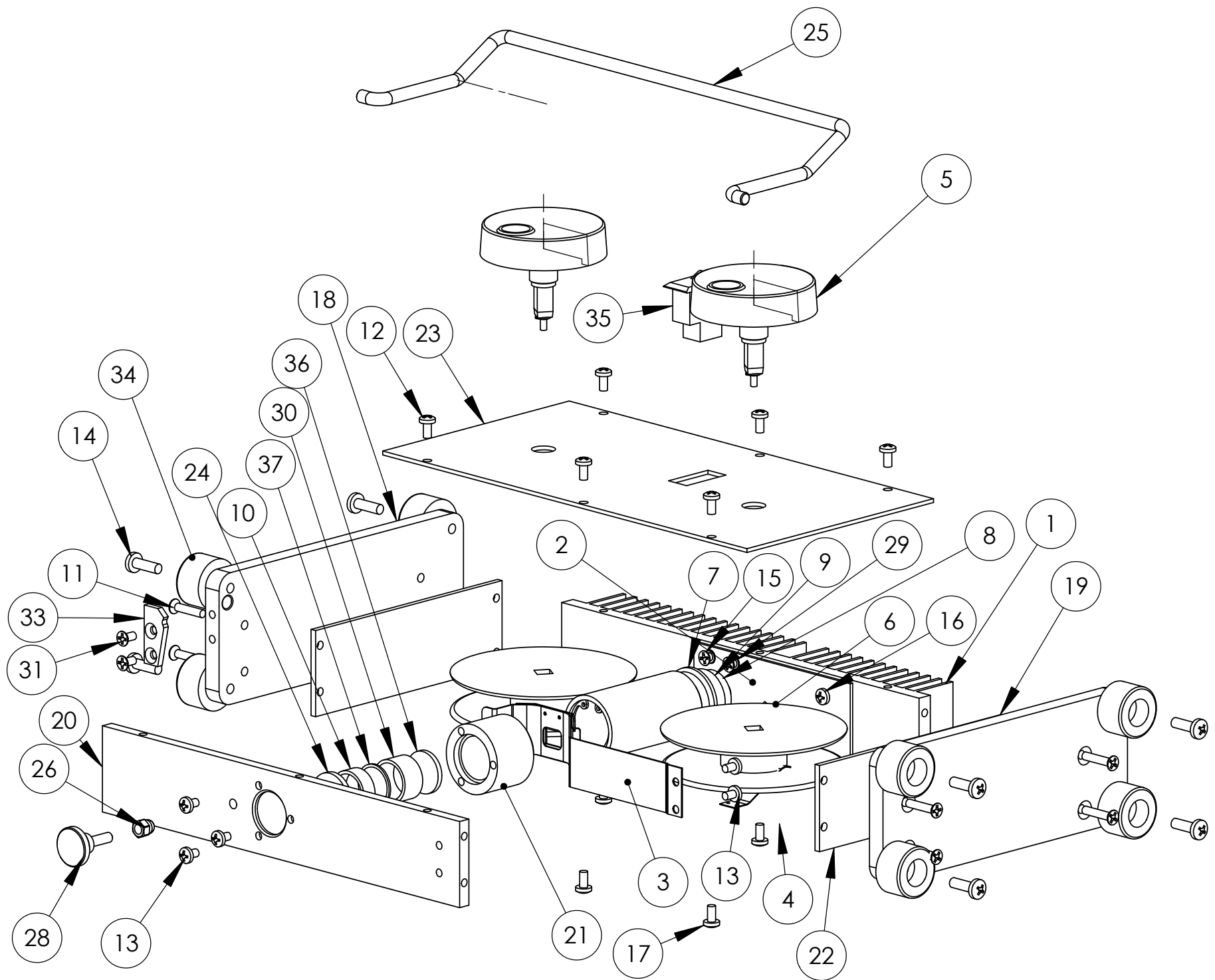



ITEM NO.	PART NUMBER	DESCRIPTION	QTY.
1	100132	Heatsink, Aavid 60520	1
2	PCB		1
	100104	Circuit board blank	1
	100015	LED, Luxeon LXHL-LW6C	1
3	GATE		1
	100110	Film Gate	1
	100011	Backgate	1
	100024	Film Spacer	1
4	Bottom		1
	100144	Bottom Plate	1
	100029	Leaf Spring	2
5	Knobreeel		2
	100106	Cover Bush	1
	100151	Dowel .125 dia 2.000 long	1
	100009	Driver	1
	100153	Gripring .125 dia	1
	100149	Knob bush	1
	100007	Clutch, one-way, Torrington RC-02	1
	100152	Washer, ss .125 id, McMaster 98019A310	1
	100017	Knob, plastic McMaster 7354K15	1
	100045	Felt washer	1
6	Reel		2
7	condentube		1
	100031	Condenser lens, small Fisher Price	1
	100105	Condenser Tube	1
	100154	O-ring Buna -120	1
	100035	Retaining ring, internal 1.062 dia	1
	100031b	Condenser lens, large, Fisher-Price	2
8	100162	Spacer, condenser lens, short	1
9	100136	Spacer, condenser lens, long	1
10	100163	Spacer, projector, short	1
11	FHMS Phillips M4x20		8
12	PHMS Phillips M4x8		6
13	PHMS Phillips M4x6		5
14	PHMS Phillips M5x16		8
15	FHMS Phillips M4x12		6
16	PHMS Phillips M4x12		1
17	PHMS M4x8		6
18	100150	Endplate, Right	1
19	100160	Endplate, Left	1
20	100100	Front Plate	1
21	100138	Projector Lens Housing	1
22	100148	End Spacer	2
23	100145	Top Plate	1
24	100158	Window Edmund R39-773	1
25	100146	Handle	1
26	100161	M5 Acorn Nut	1
27	100147	Half Bridge	1
28	100012	Focus Screw McMaster 92558A170	1
29	100143	Spacer, .25 dia, .19 long	4
30	100156	Spacer, projector, long	1
31	FHMS Phillips M4x8		2
32	100150	Washer, Nylon, MSC 05401757	1
33	100159	Detent	1
34	100101	Bumper, rubber McMaster 9540K35	8
35	100039	Switch, SPST rocker Carlingswitch	1
36	100155	Projector lens, concave	1
37	100157	Projector lens, plano	1



UNLESS OTHERWISE SPECIFIED: DIMENSIONS ARE IN MILLIMETERS TOLERANCES: ±0.1MM ANGULAR: ±0°30'	 <a href="http://www.designthatmatters.org">www.designthatmatters.org</a>	NAME	DATE
		allen	21july04
MATERIAL	TITILE: <b>KINKAJOU DELTA</b>	APPROVED	
FINISH		SIZE <b>B</b>	DWG. NO. <b>100141</b>
REMOVE ALL BURRS AND SHARP EDGES	SCALE 2:5		
APPLICATION	DO NOT SCALE DRAWING		